

Remote switching device TC IP 1

The TC IP 1 allows the switching of electrical devices (network printer, DSL-modem, IP-CAM and so on) via the TCP/IP-network.

The device is located in a plug-adapter housing. To put into operation the TC IP 1 simply has to be connected to a power outlet and the respective network. The device to be switched will be plugged into the provided power outlet of the TC IP 1. The TC IP 1 can be switched from all computers of the same network with their web browser by IP-address 192.168.0.2.

A local operation is possible with a push-button on the device. The actual switching state of the output is indicated by a LED at the push-button for switching.

The TC IP 1 has an integrated time switching function. Up to 4 switching on and 4 switching off times can be selected.

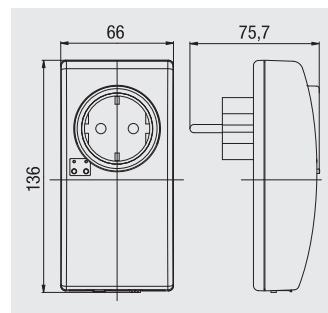
With a web browser it is possible to display the actual temperature at connected temperature sensor as well as the settings of the network characteristics and the time switch.

The TC IP 1 can also be operated from the Internet if there is a fixed IP-address or a DNS-server for the translation of the dynamic IP in a host name provided. The TC IP 1 can also be operated from a mobile phone, if this supports JavaScript.

The TC IP 1 will be delivered with a CD, which contains detailed operating instructions.

TC IP 1:
Housing made of ABS V0
(flame-retardant)

Protection class IP20
according to EN 60529



TC IP 1
700 902 610
pure white (ähnlich RAL 9010);
66 x 136 x 76 mm; 170 g


Temperature sensor
700 802 201
Resolution 1 °C;
B-value 3435 K ± 1 %;
10 kΩ at 25 °C;
black (similar RAL 9005);
600 mm; 6 g

Performance features

- integrated power supply
- 1 switching output 16 Amps/ 230 V
- indication of the switching state of the switching output
- local operation of the switching output
- network connection RJ45
- link-/activity indication for the network connection
- analog input for the connection of a temperature sensor (optional)
- temperature surveillance with web browser, analysis range -25–55 °C, resolution 1 °C
- easy configuration with web browser
- can be resetted to factory settings
- buffering of all settings and time at a power failure
- operation as time switch
- power consumption about 1 W
- cross-platform operation with web browser
- manual allocation of a fixed IP-address or dynamic IP-address via DHCP
- access protection through optional passwords

Manuell

Status



Ausschalten

Impulsbetrieb

Impulsdauer Ein Impuls
 Aus Impuls
00:00:03
hh:mm:ss

Impulsschalten

Temperatur =
24 °C

Zeitschaltfunktion

Systemzeit: 09:21:48 Mittwoch TC IP 1 Zeit: 09:21:35 Mittwoch	<input checked="" type="checkbox"/> Einschalten 08:00:00 hh:mm:ss <input checked="" type="checkbox"/> Ausschalten 12:00:00 hh:mm:ss	<input checked="" type="checkbox"/> Einschalten 13:00:00 hh:mm:ss <input checked="" type="checkbox"/> Ausschalten 17:00:00 hh:mm:ss	<input checked="" type="checkbox"/> Einschalten 08:00:00 hh:mm:ss <input checked="" type="checkbox"/> Ausschalten 13:30:00 hh:mm:ss	<input type="checkbox"/> Einschalten 00:00:00 hh:mm:ss <input type="checkbox"/> Ausschalten 00:00:00 hh:mm:ss
Montag	<input checked="" type="checkbox"/>	<input checked="" type="checkbox"/>	<input type="checkbox"/>	<input type="checkbox"/>
Dienstag	<input checked="" type="checkbox"/>	<input checked="" type="checkbox"/>	<input type="checkbox"/>	<input type="checkbox"/>
Mittwoch	<input checked="" type="checkbox"/>	<input checked="" type="checkbox"/>	<input type="checkbox"/>	<input type="checkbox"/>
Donnerstag	<input checked="" type="checkbox"/>	<input checked="" type="checkbox"/>	<input type="checkbox"/>	<input type="checkbox"/>
Freitag	<input type="checkbox"/>	<input type="checkbox"/>	<input checked="" type="checkbox"/>	<input type="checkbox"/>
Samstag	<input type="checkbox"/>	<input type="checkbox"/>	<input type="checkbox"/>	<input type="checkbox"/>
Sonntag	<input type="checkbox"/>	<input type="checkbox"/>	<input type="checkbox"/>	<input type="checkbox"/>
taglich	<input type="checkbox"/>	<input type="checkbox"/>	<input type="checkbox"/>	<input type="checkbox"/>

Zeitschaltfunktion ubernehmen

Application example

First the TC IP 1 will be connected with a patch cord to the local network. After this the temperature sensor (optional) will be connected at the spring terminals.

After the connection to a power outlet the TC IP 1 can be reached with a browser. After entering the address <http://192.168.0.2> the main menu of the TC IP 1 opens (see picture above).

With the button „network configuration“ in the main menu you will access the system settings of TC IP 1. Here you can enter and modify IP-address and passwords.

The TC IP 1 has an integrated time switching function. Up to 4 switching on and 4 switching off times can be selected.

At any one time one switching on time is combined in a group with a switching off time. The days of a week can be allocated to each group.

In the above example a laser printer of a company is connected at the TC IP 1. The printer will be switched on from Monday to Friday at 8 o'clock in the morning and switched off at 12 o'clock. After the lunch break the printer will be switched on again at 13 o'clock and switched off at 17 o'clock. On Fridays the printer will be turned on at 8 o'clock in the morning and switched off at 13:30 o'clock. On weekends is the printer not in use. If the printer is needed outside the programmed times, the user is able to switch the printer on at any

time either with the built-in push-button or from the website. The output can be switched in impulse mode if needed. It will be distinguished between two kinds of impulses. The on-impulse switches on the output for the selected time and the off-impulse switches off the output for the selected time. If the output is already switched on while sending an on-impulse, it will be switched off after passing the impulse time. The light bulb on the website indicates the actual switching state.